

Small Signal Switching Diodes

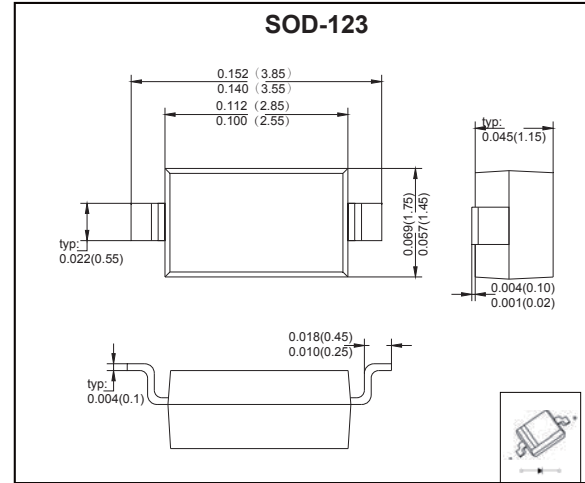
VOLTAGE RANGE: 100V
PEAK PULSE POWER:400mW

FEATURES

- High Voltage

MECHANICAL DATA

- Case: SOD-123 Small Outline Plastic Packag
- e •Polarity: Color band denotes cathode end
- Mounting Position: Any



MAXIMUM RATINGS AND CHARACTERISTICS

@ 25°C Ambient Temperature (unless otherwise noted)

Symbol	Parameter	Value	Unit
V_{RRM}	Maximum Repetitive Reverse Voltage	100	V
I_O	Forward Current	0.2	A
I_{FSM}	Non-repetitive Peak Forward Surge Current @t= 8.3ms	2	
P_D	Power Dissipation	400	mW
$R_{\theta JA}$	Thermal Resistance from Junction to Ambient	312	°C/W
T_j	Junction Temperature	150	°C
T_{stg}	Storage Temperature	-55~+150	°C

Electrical Specification ($T_A=25^\circ\text{C}$ unless otherwise specified)

Parameter	Symbol	Test conditions	Min	Typ	Max	Unit
Reverse voltage	$V_{(BR)}$	$I_R=5\mu\text{A}$	75			V
		$I_R=100\mu\text{A}$	100			V
Reverse current	I_R	$V_R=20\text{V}$			25	nA
		$V_R=75\text{V}$			5	μA
Forward voltage	V_F	$I_F=10\text{mA}$			1	V
Total capacitance	C_{tot}	$V_R=0\text{V}, f=1\text{MHz}$			4	pF
Reverse recovery time	t_{rr}	$I_F= I_R=30\text{mA}, I_{rr}=0.1 \times I_R, R_L=100\Omega$			4	ns

MARKING: 5D



RATINGS AND CHARACTERISTIC CURVES

